

Inducer Control Board Kit

Cancels: IIK 398A-40-5 IIK 376B-40-8

7/1/89

Installation Instructions

P/N 313680-751

“I replaced the inducer board twice and it still doesn’t work!”

“You must be having a run on bad inducer boards.”

Symptoms

Non-Condensing Furnace

- Ignitor sparks
- Pilot lights
- Inducer does not start
- Pilot switch heats up (N.C. open)
- Pilot goes out
- Pilot switch cools off (N.C. closes)
- Ignitor sparks, Pilot lights, and process repeats

Symptoms Condensing Furnace

- Nothing happens.

Confusing Instructions

D. Wire Harness

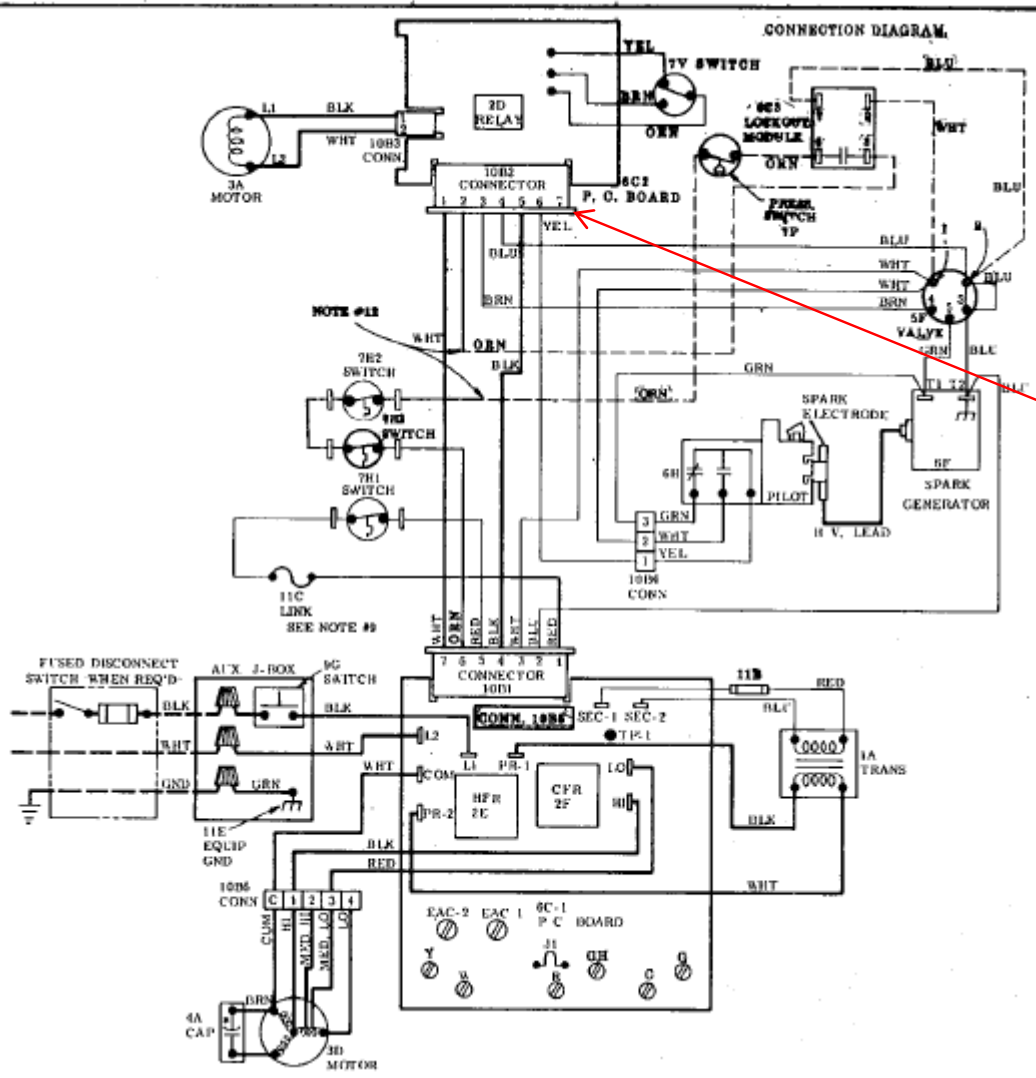
NOTE: If the unit wire harness has a red wire connected from terminal No. 7 of inducer control board edge connector (EC2-7 or 10B2-7) to one terminal of the primary limit switch, disregard this section.

Simple process – check existing inducer edge connector

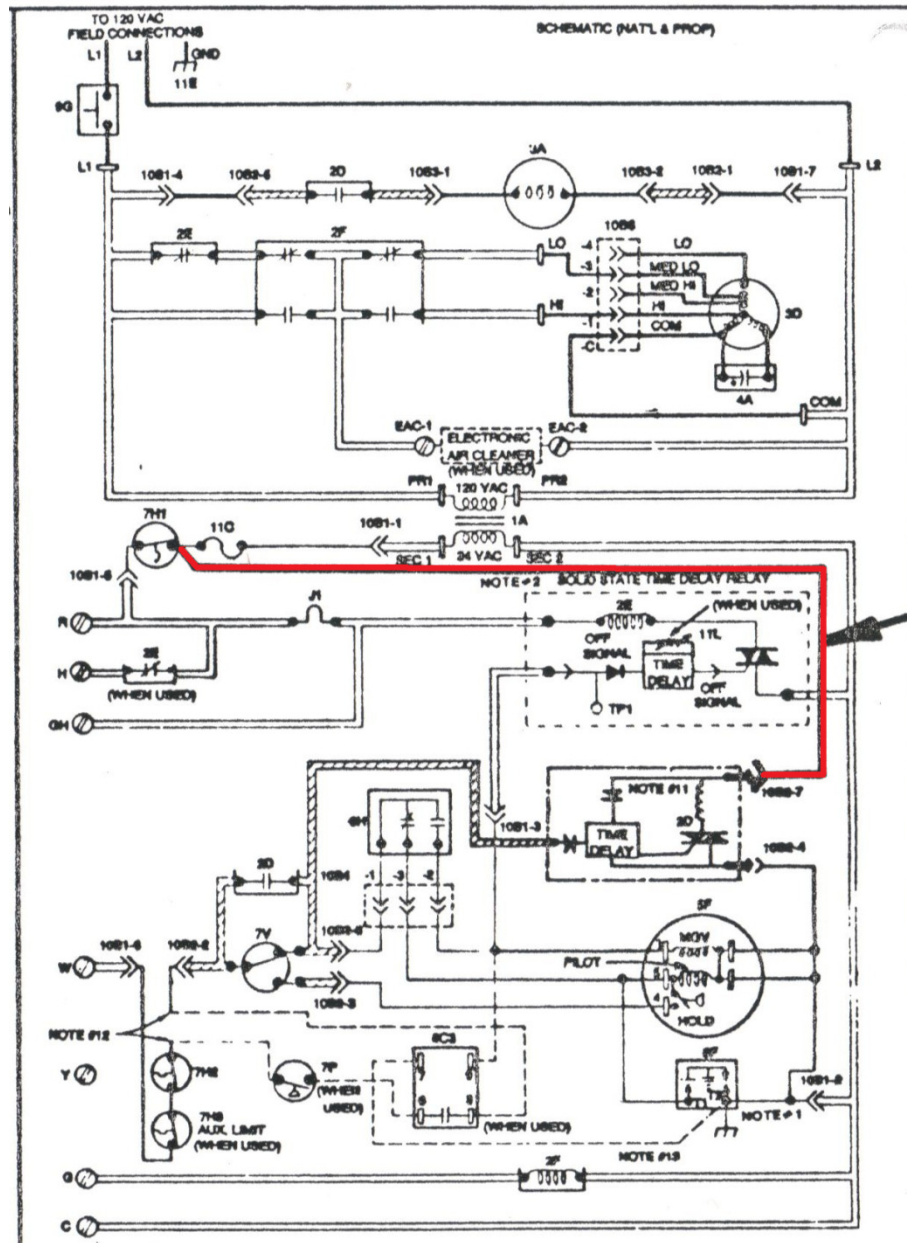
- If it doesn't have a red wire at Pin 7 location proceed with instructions to add red wire.
- Wiring diagram (shipped in box) is easier to follow than step by step instructions.

Reason for change

- Redesigned the inducer circuit to include a 15 second post-purge time off delay.
- The additional 15 seconds of inducer motor operation after the end of the combustion cycle, will ensure the complete purge of any excess gas odors and moisture from the heat exchangers.
- The new inducer circuit board requires an additional wire to perform this function.



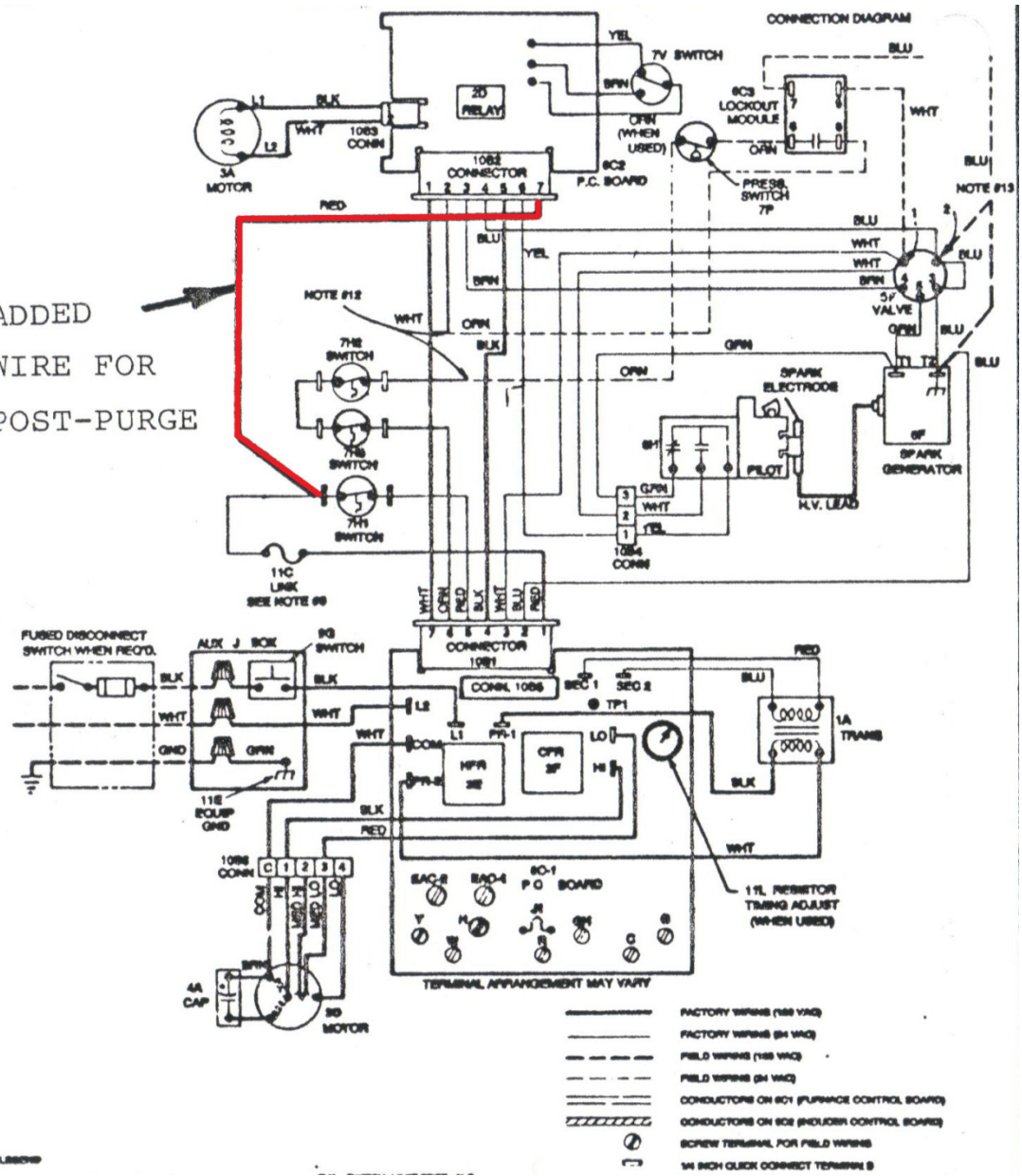
Original non-condensing connection diagram, no Red wire at 7.



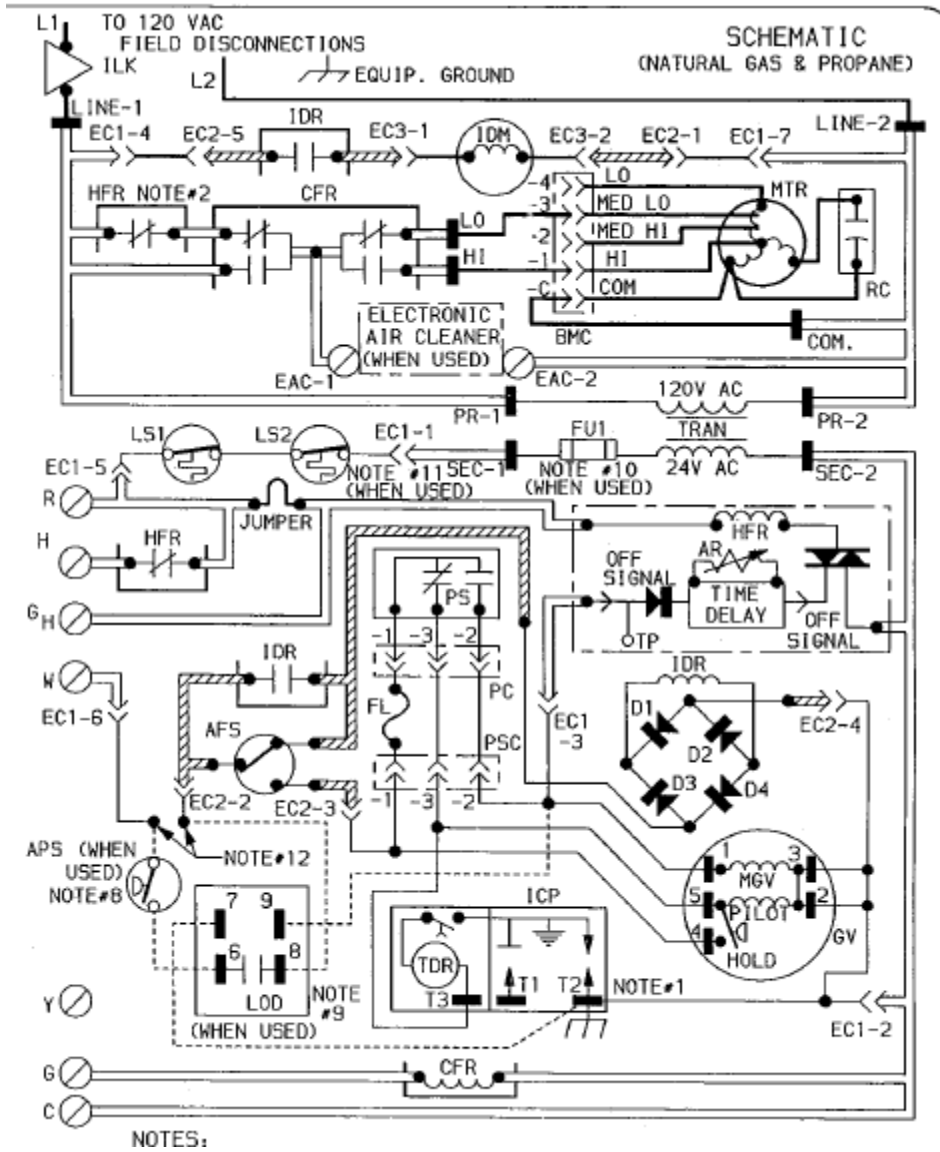
ADDED
WIRE FOR
POST-PURGE

Non-condensing

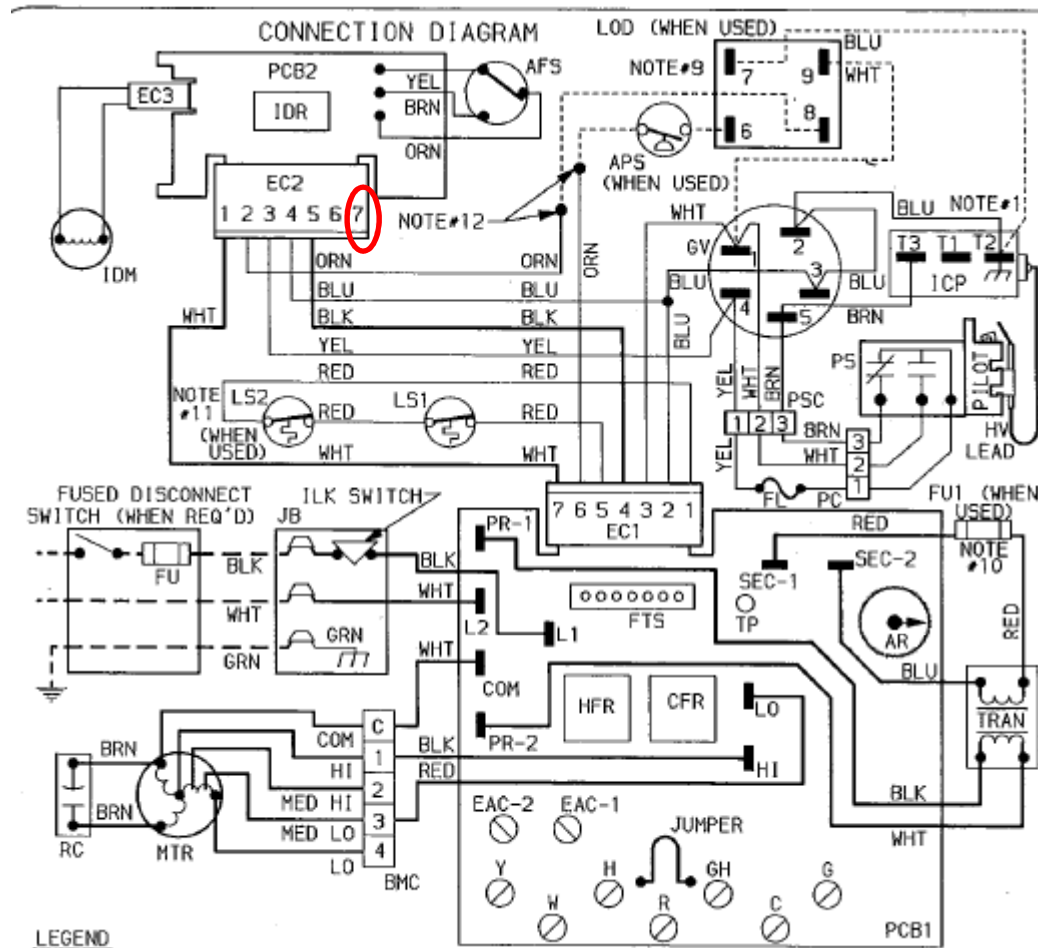
ADDED
WIRE FOR
POST-PURGE



Non-condensing



Original Condensing Ladder Schematic



Original Condensing Connection Diagram

